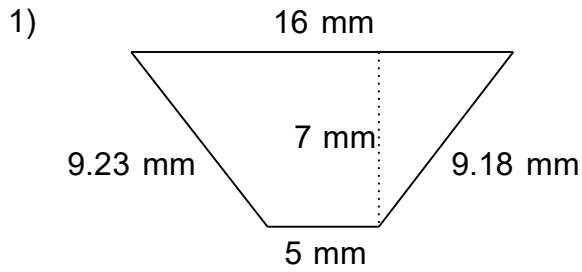
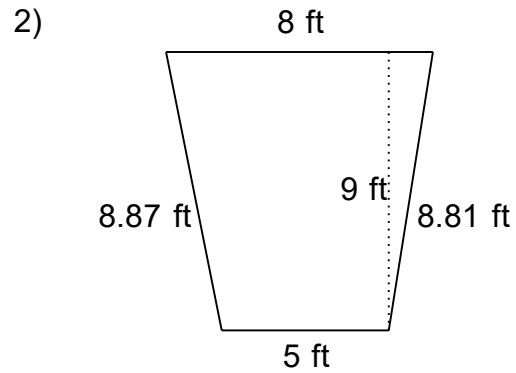


Find the Perimeter of these Trapezoids.



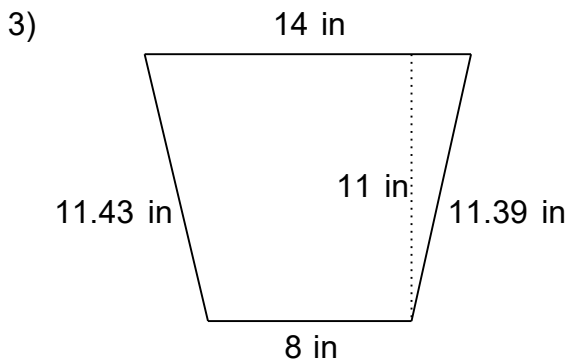
$P = 39.41 \text{ mm}$

---



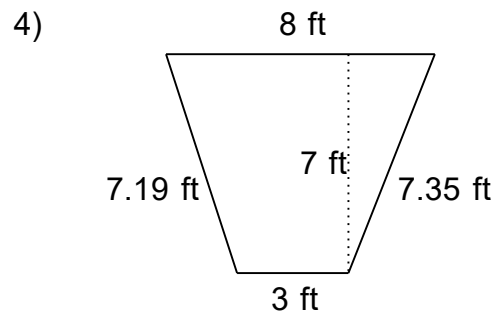
$P = 30.68 \text{ ft}$

---



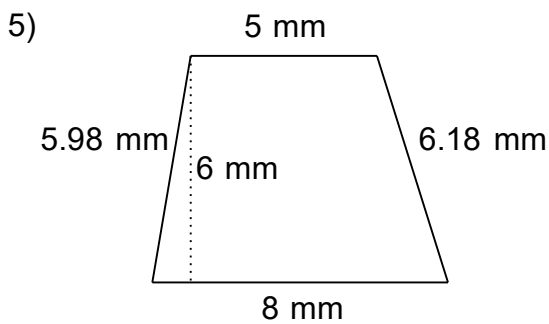
$P = 44.82 \text{ in}$

---



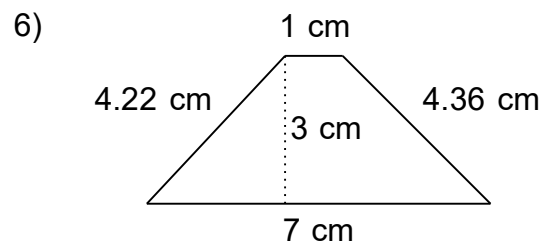
$P = 25.54 \text{ ft}$

---



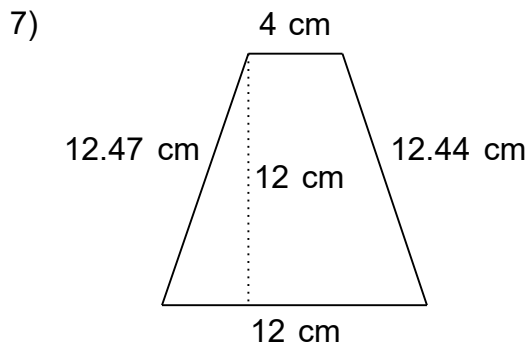
$P = 25.16 \text{ mm}$

---



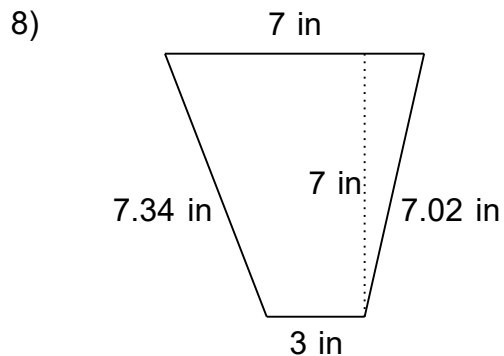
$P = 16.58 \text{ cm}$

---



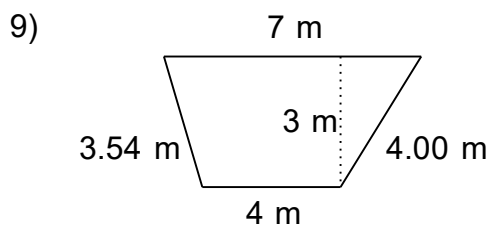
$P = 40.91 \text{ cm}$

---



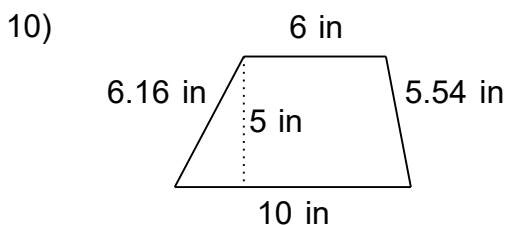
$P = 24.36 \text{ in}$

---



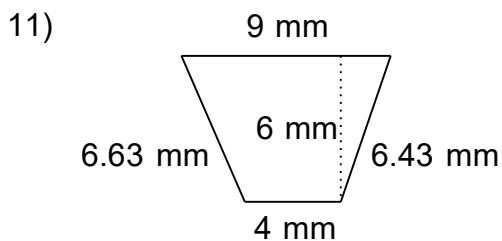
$P = 18.54 \text{ m}$

---



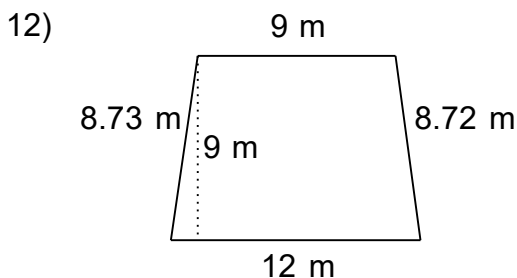
$P = 27.70 \text{ in}$

---



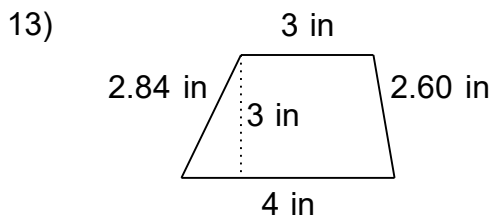
$P = 26.06 \text{ mm}$

---



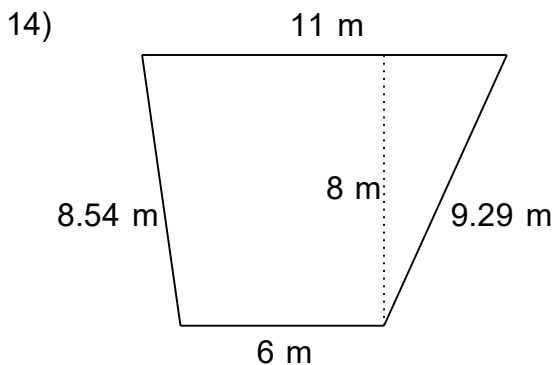
$P = 38.45 \text{ m}$

---



$P = 12.44 \text{ in}$

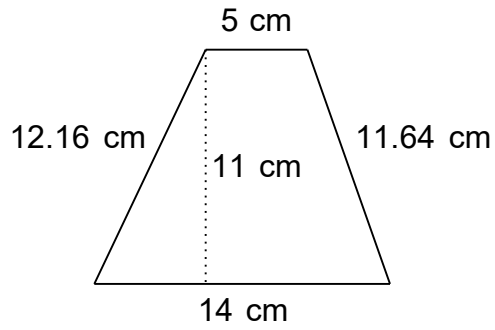
---



$P = 34.83 \text{ m}$

---

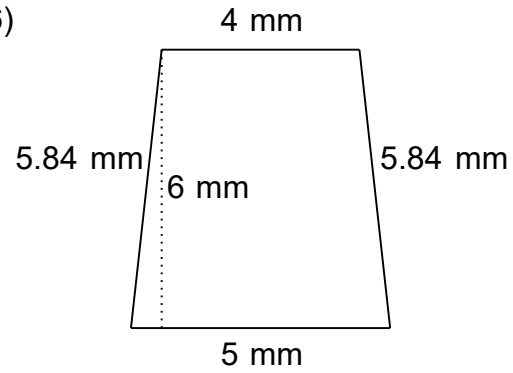
15)



$P = 42.80 \text{ cm}$

---

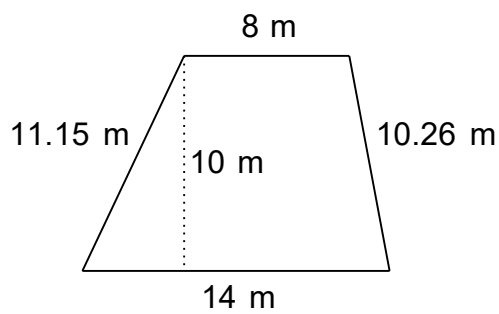
16)



$P = 20.68 \text{ mm}$

---

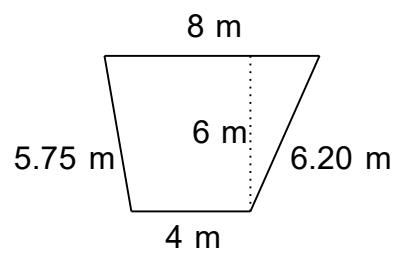
17)



$P = 43.41 \text{ m}$

---

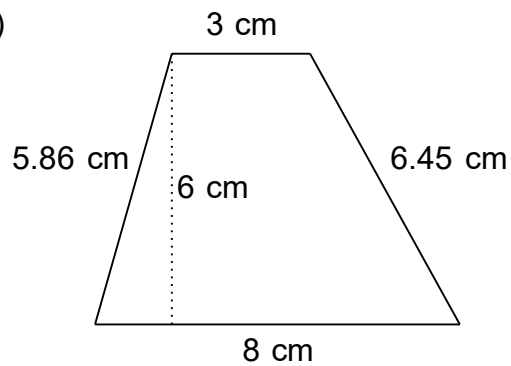
18)



$P = 23.95 \text{ m}$

---

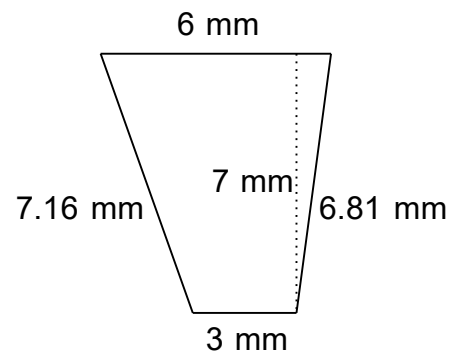
19)



$P = 23.31 \text{ cm}$

---

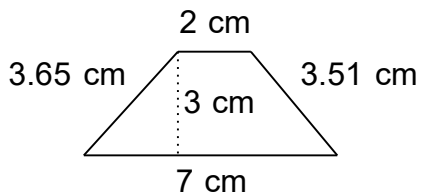
20)



$P = 22.97 \text{ mm}$

---

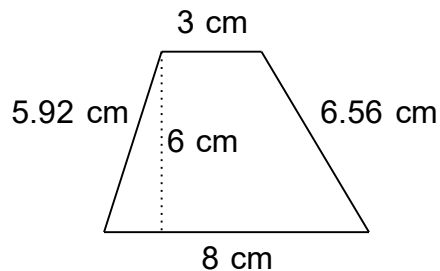
21)



$P = 16.16 \text{ cm}$

---

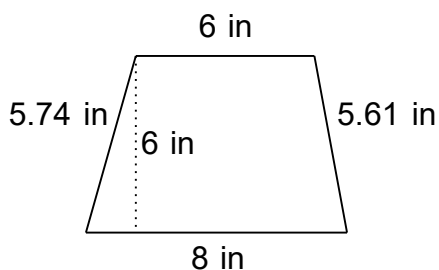
22)



$P = 23.48 \text{ cm}$

---

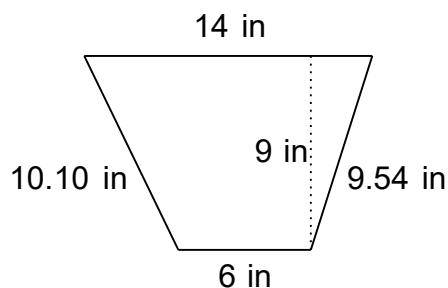
23)



$P = 25.35 \text{ in}$

---

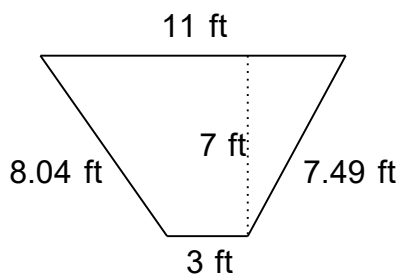
24)



$P = 39.64 \text{ in}$

---

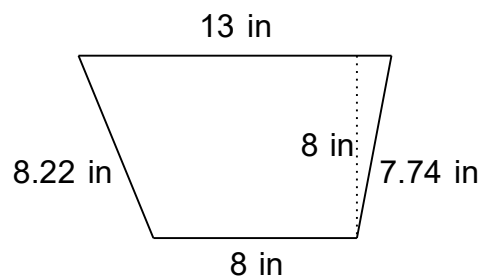
25)



$P = 29.53 \text{ ft}$

---

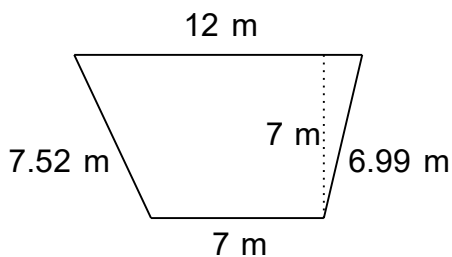
26)



$P = 36.96 \text{ in}$

---

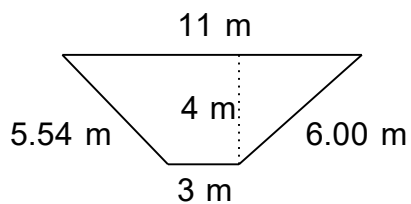
27)



$P = 33.51 \text{ m}$

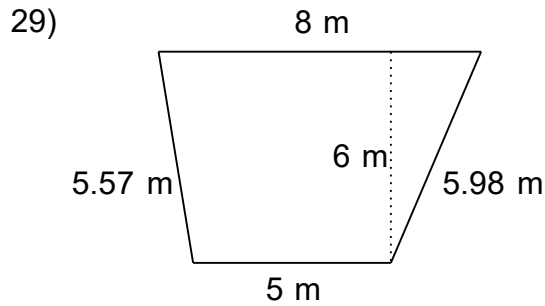
---

28)



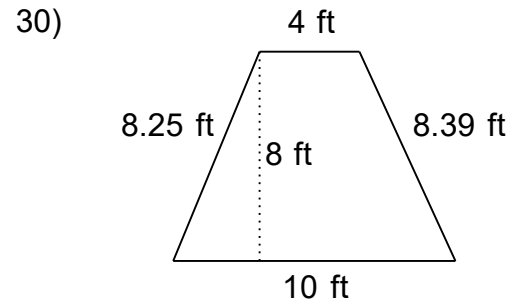
$P = 25.54 \text{ m}$

---



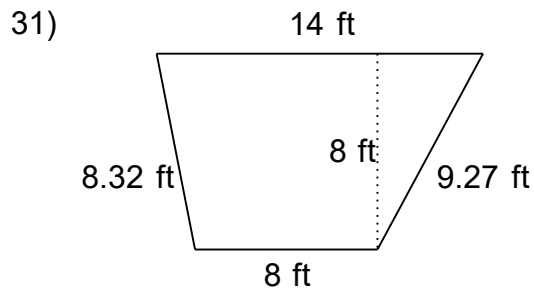
$P = 24.55 \text{ m}$

---



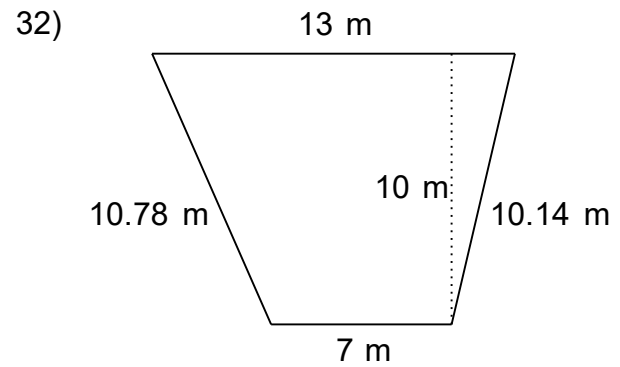
$P = 30.64 \text{ ft}$

---



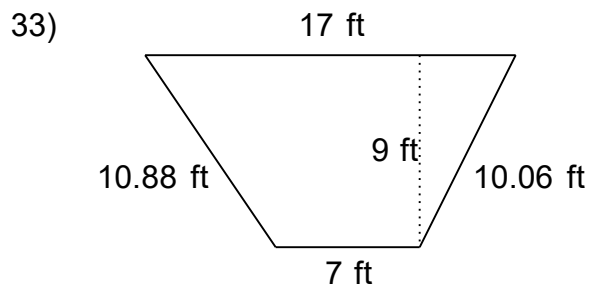
$P = 39.59 \text{ ft}$

---



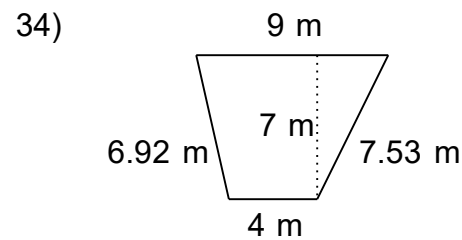
$P = 40.92 \text{ m}$

---



$P = 44.94 \text{ ft}$

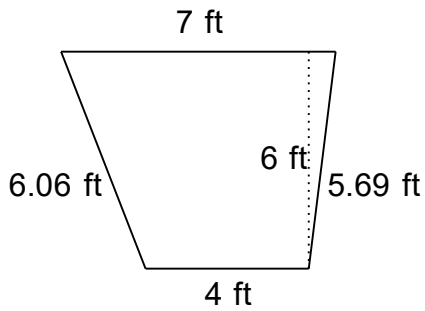
---



$P = 27.45 \text{ m}$

---

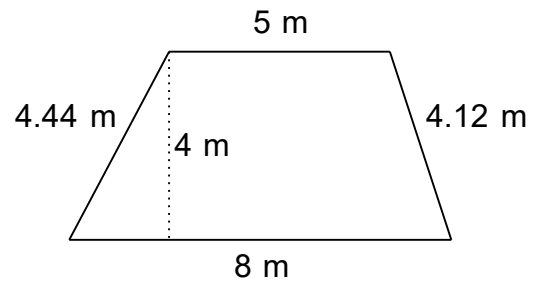
35)



$P = 22.75 \text{ ft}$

---

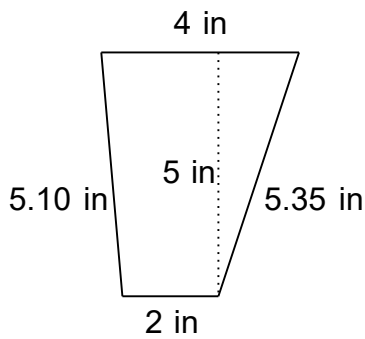
36)



$P = 21.56 \text{ m}$

---

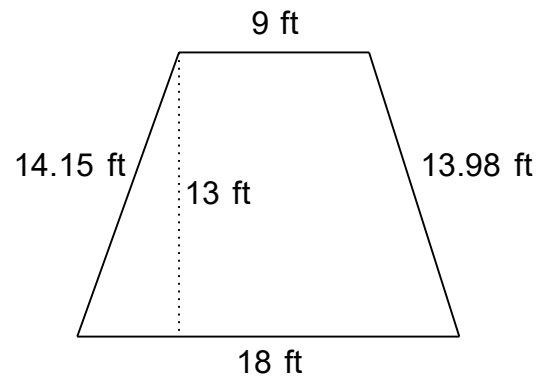
37)



$P = 16.45 \text{ in}$

---

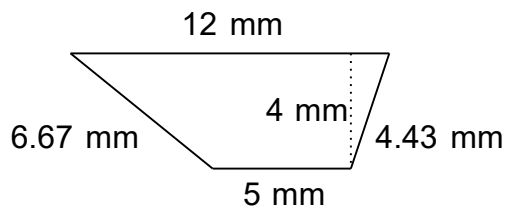
38)



$P = 55.13 \text{ ft}$

---

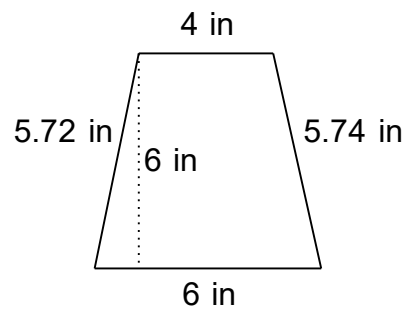
39)



$P = 28.10 \text{ mm}$

---

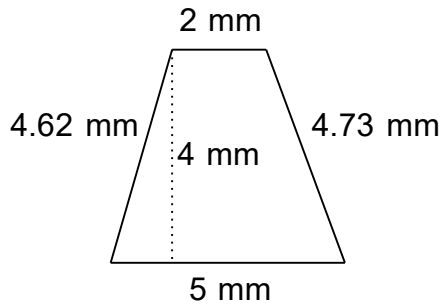
40)



$P = 21.46 \text{ in}$

---

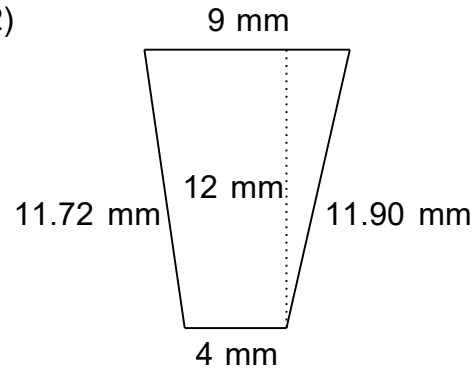
41)



$P = 16.35 \text{ mm}$

---

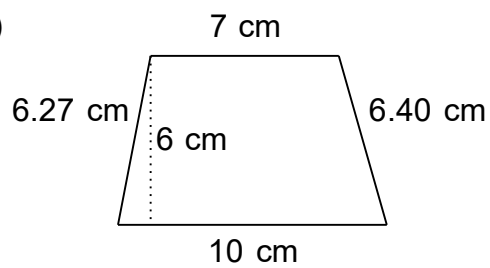
42)



$P = 36.62 \text{ mm}$

---

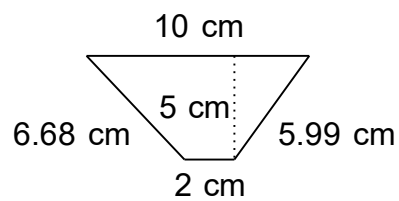
43)



$P = 29.67 \text{ cm}$

---

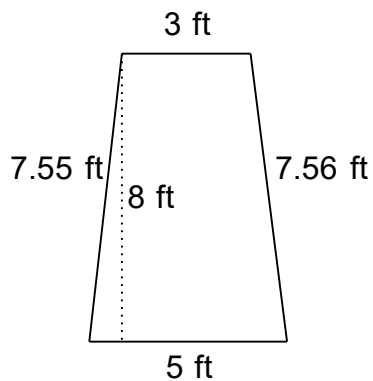
44)



$P = 24.67 \text{ cm}$

---

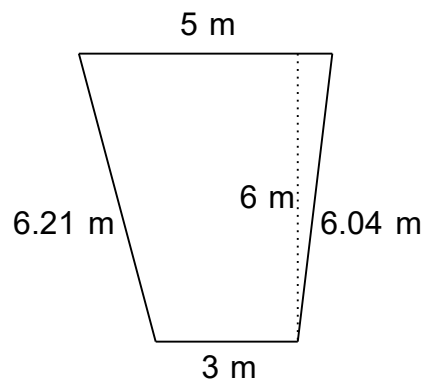
45)



$P = 23.11 \text{ ft}$

---

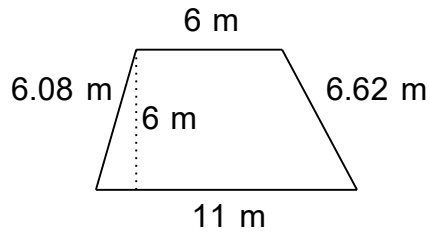
46)



$P = 20.25 \text{ m}$

---

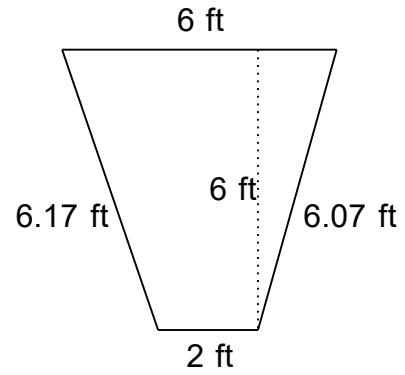
47)



$P = 29.70 \text{ m}$

---

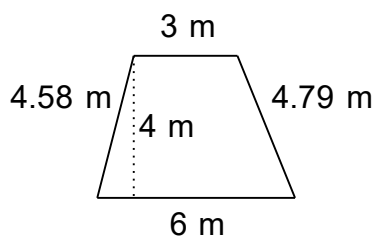
48)



$P = 20.24 \text{ ft}$

---

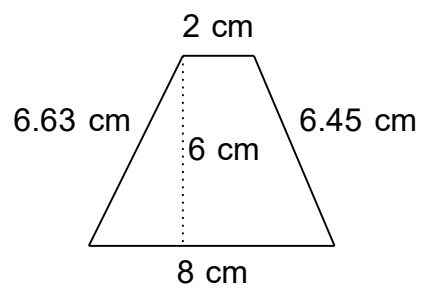
49)



$P = 18.37 \text{ m}$

---

50)



$P = 23.08 \text{ cm}$

---