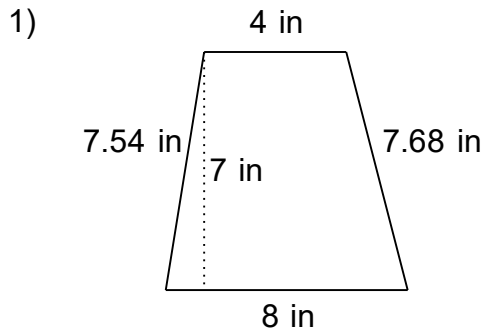
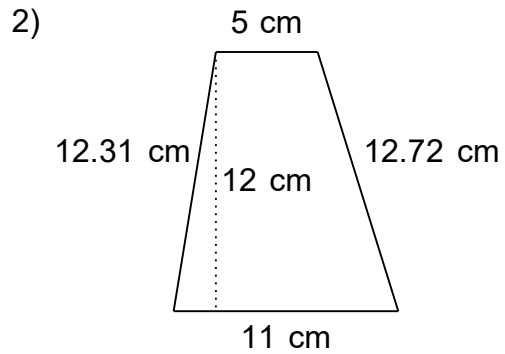


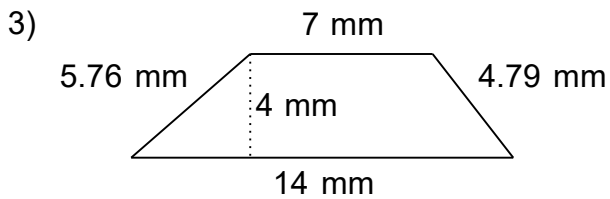
Find the Area of these Trapezoids.



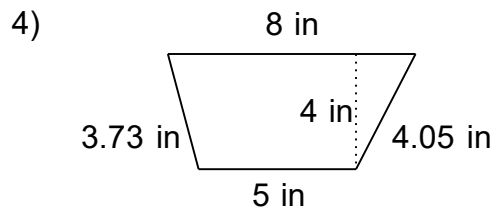
$A = 42 \text{ in}^2$



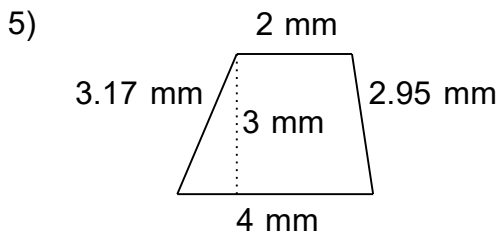
$A = 96 \text{ cm}^2$



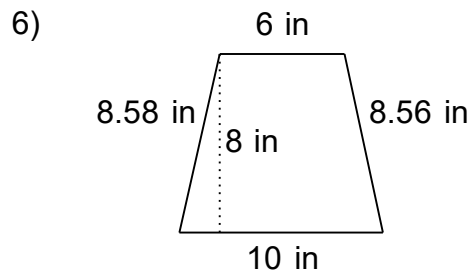
$A = 42 \text{ mm}^2$



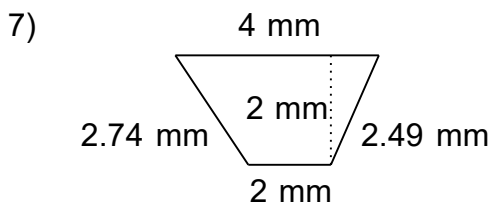
$A = 26 \text{ in}^2$



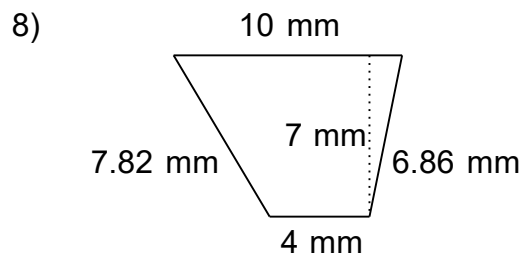
$A = 9 \text{ mm}^2$



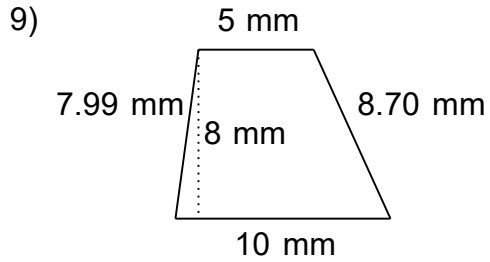
$A = 64 \text{ in}^2$



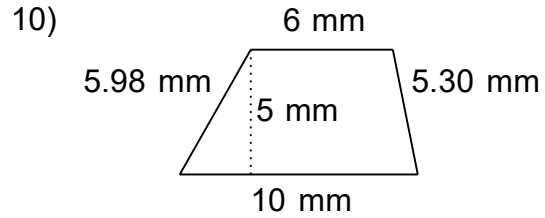
$A = 6 \text{ mm}^2$



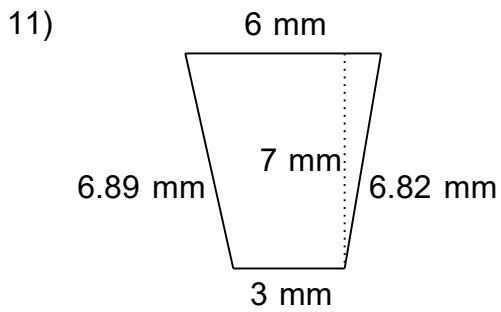
$A = 49 \text{ mm}^2$



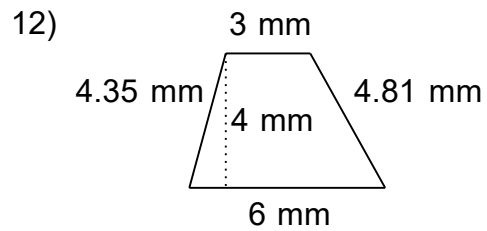
$A = 60 \text{ mm}^2$



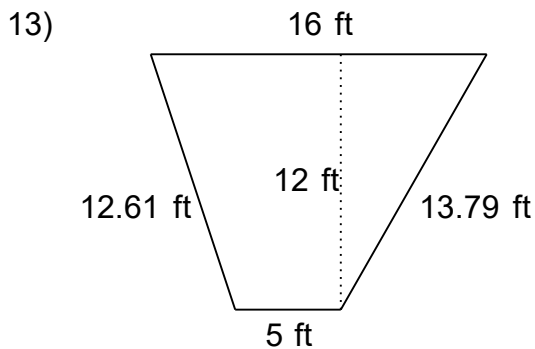
$A = 40 \text{ mm}^2$



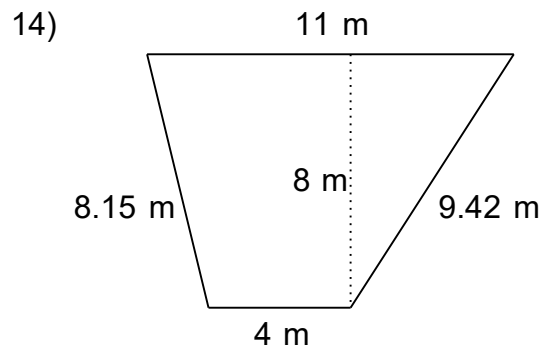
$A = 32 \text{ mm}^2$



$A = 18 \text{ mm}^2$

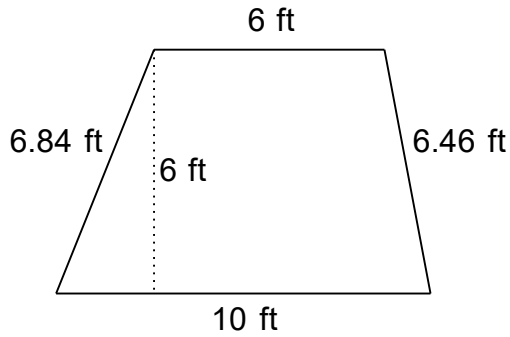


$A = 126 \text{ ft}^2$



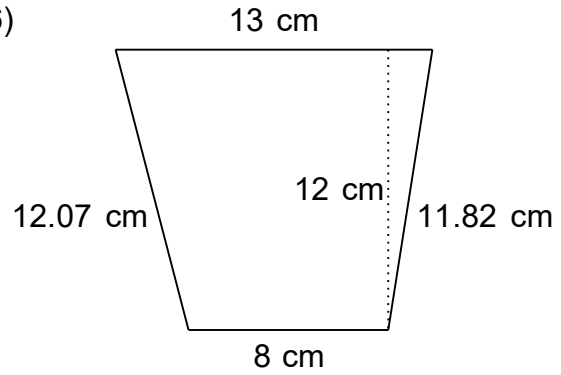
$A = 60 \text{ m}^2$

15)



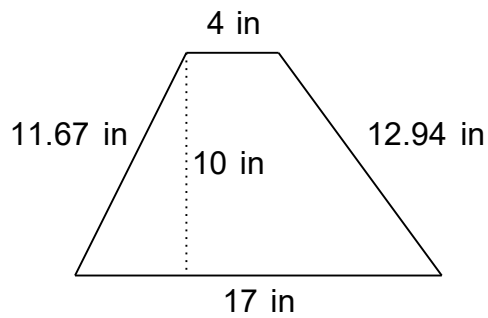
$A = 48 \text{ ft}^2$

16)



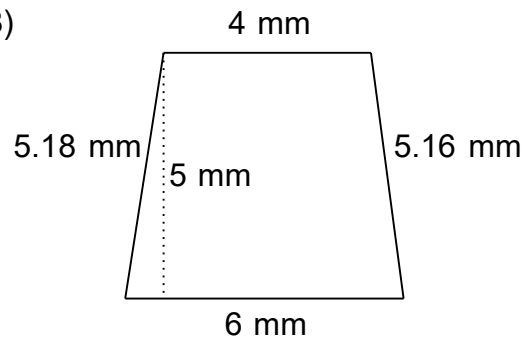
$A = 126 \text{ cm}^2$

17)



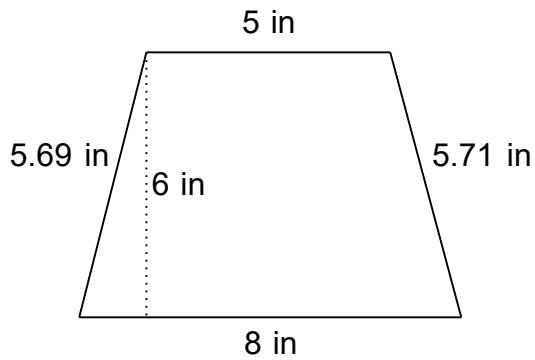
$A = 105 \text{ in}^2$

18)



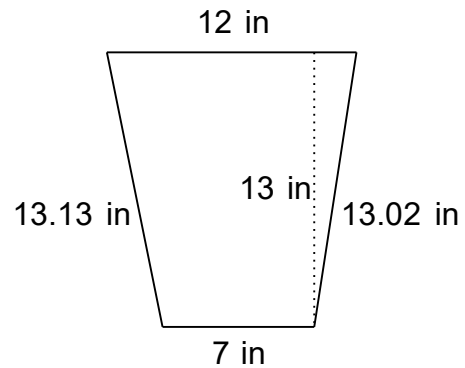
$A = 25 \text{ mm}^2$

19)



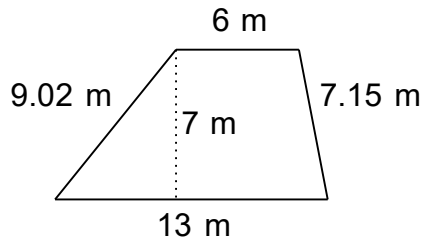
$A = 39 \text{ in}^2$

20)



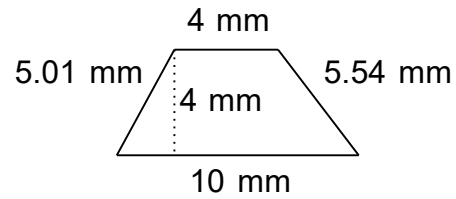
$A = 124 \text{ in}^2$

21)



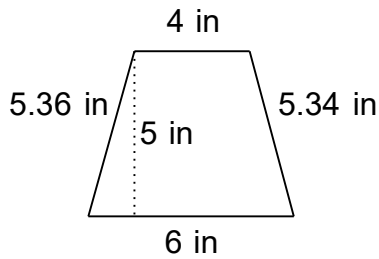
$A = 66 \text{ m}^2$

22)



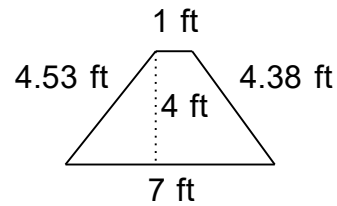
$A = 28 \text{ mm}^2$

23)



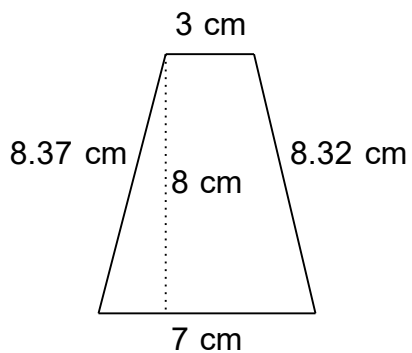
$A = 25 \text{ in}^2$

24)



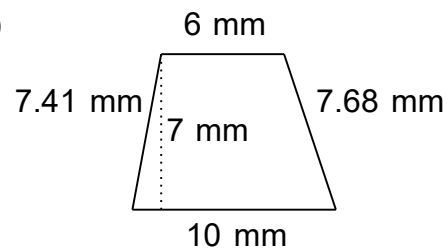
$A = 16 \text{ ft}^2$

25)



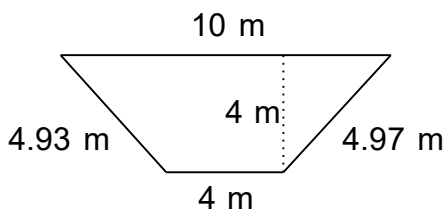
$A = 40 \text{ cm}^2$

26)



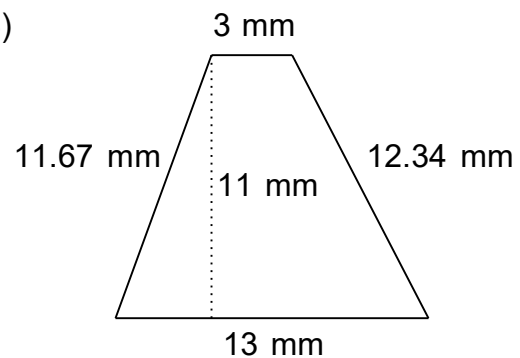
$A = 56 \text{ mm}^2$

27)



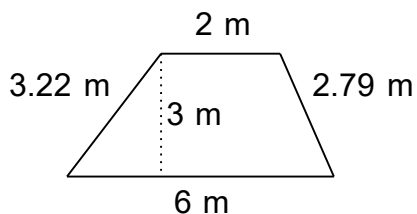
$A = 28 \text{ m}^2$

28)



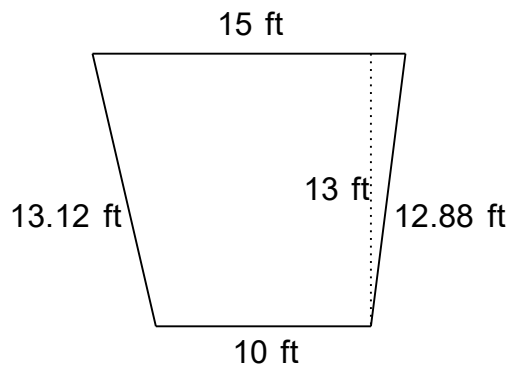
$A = 88 \text{ mm}^2$

29)



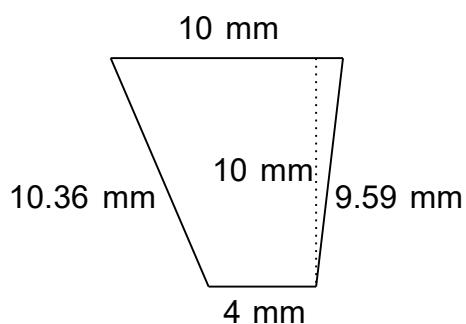
$A = 12 \text{ m}^2$

30)



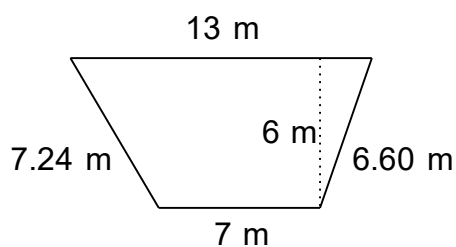
$A = 162 \text{ ft}^2$

31)



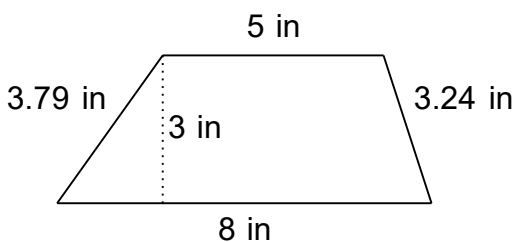
$A = 70 \text{ mm}^2$

32)



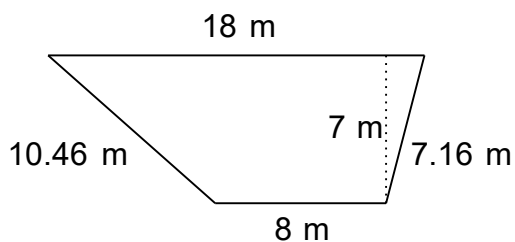
$A = 60 \text{ m}^2$

33)



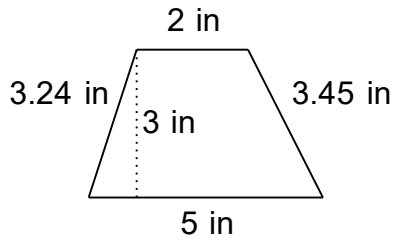
$A = 20 \text{ in}^2$

34)



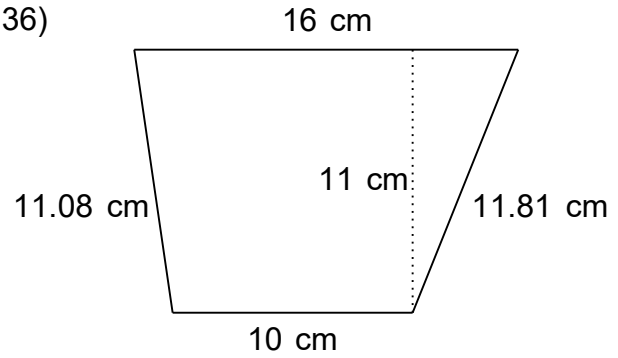
$A = 91 \text{ m}^2$

35)



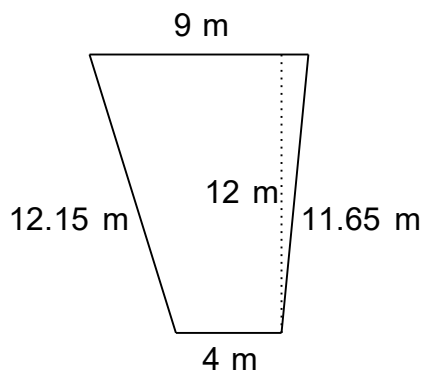
$A = 10 \text{ in}^2$

36)



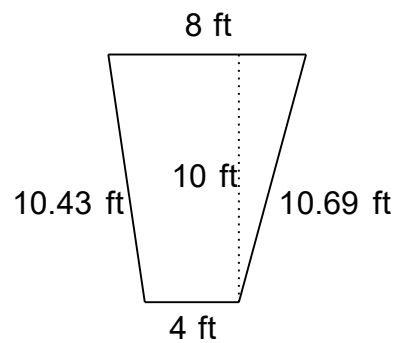
$A = 143 \text{ cm}^2$

37)



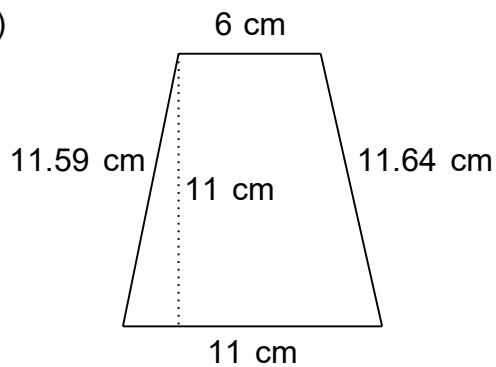
$A = 78 \text{ m}^2$

38)



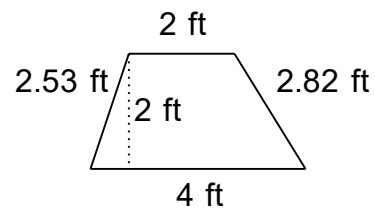
$A = 60 \text{ ft}^2$

39)



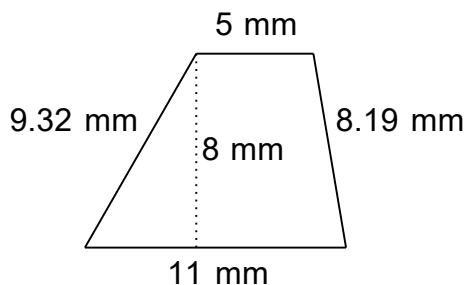
$A = 94 \text{ cm}^2$

40)



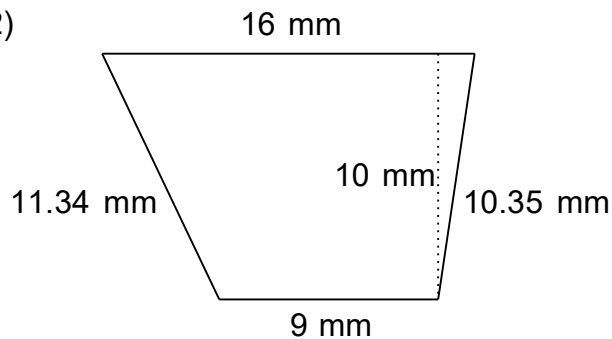
$A = 6 \text{ ft}^2$

41)



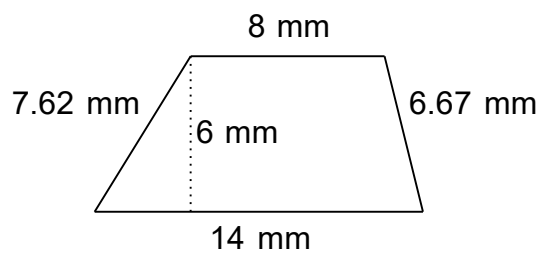
$A = 64 \text{ mm}^2$

42)



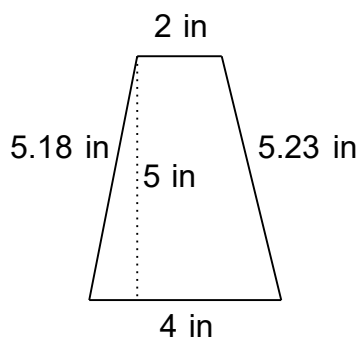
$A = 125 \text{ mm}^2$

43)



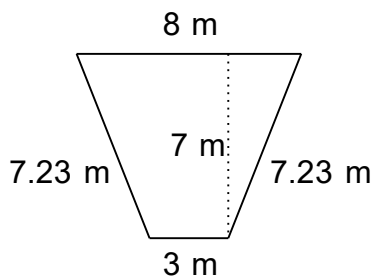
$A = 66 \text{ mm}^2$

44)



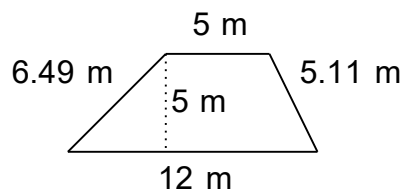
$A = 15 \text{ in}^2$

45)



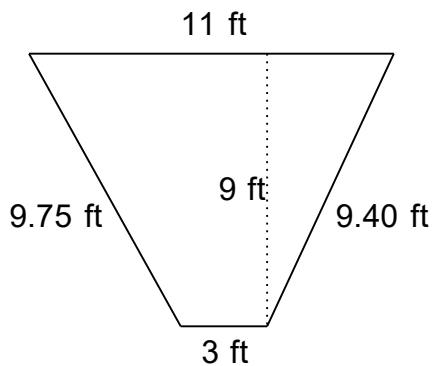
$A = 38 \text{ m}^2$

46)



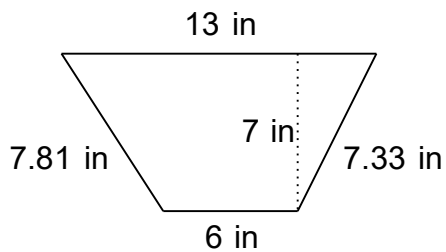
$A = 42 \text{ m}^2$

47)



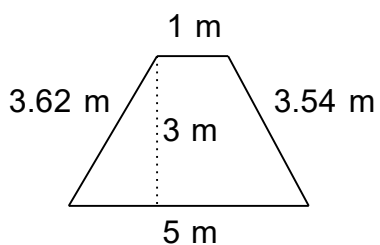
$A = 63 \text{ ft}^2$

48)



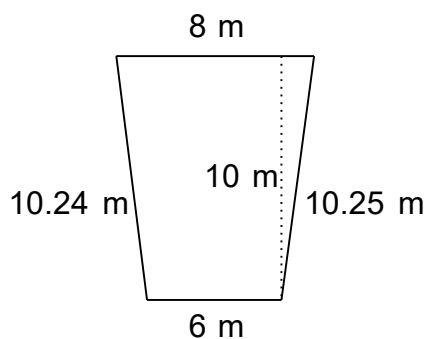
$A = 66 \text{ in}^2$

49)



$A = 9 \text{ m}^2$

50)



$A = 70 \text{ m}^2$